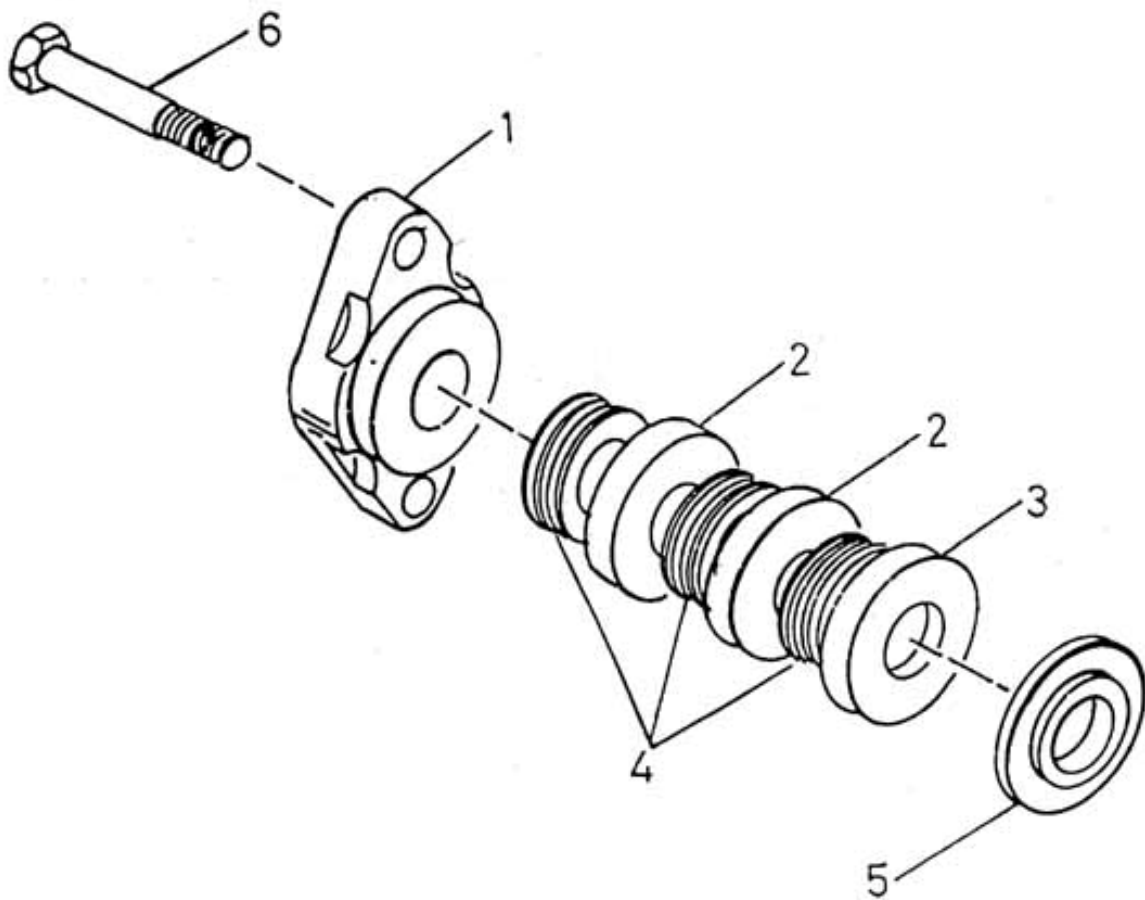


12. ASSEMBLY PACKING METALLIC - MODEL 8 x 7 NL



All manufacturer's names, numbers, photos, product description and/or part numbers are used for reference purposes only & it is not implied that any part listed is the product of these manufacturers. Since Approvement are made from time to time, the illustration and specifications are subject to change without notice.

12. ASSEMBLY PACKING METALLIC - MODEL 8 x 7 NL

No.	Description	Ref Part No.	QTY
–	Assembly Packing Metalic	70223177	–
1	– Flange Packing Case	97071294	1
2	– Cup Packing	97071302	2
3	– Cup Packing End	97071310	1
4	– Ring Packing	95062469	3
5	– Gasket Packing Case	39312962IM	1
6	– SCREW CAP HEX HEAD 5/8" X 3"	95104469	2